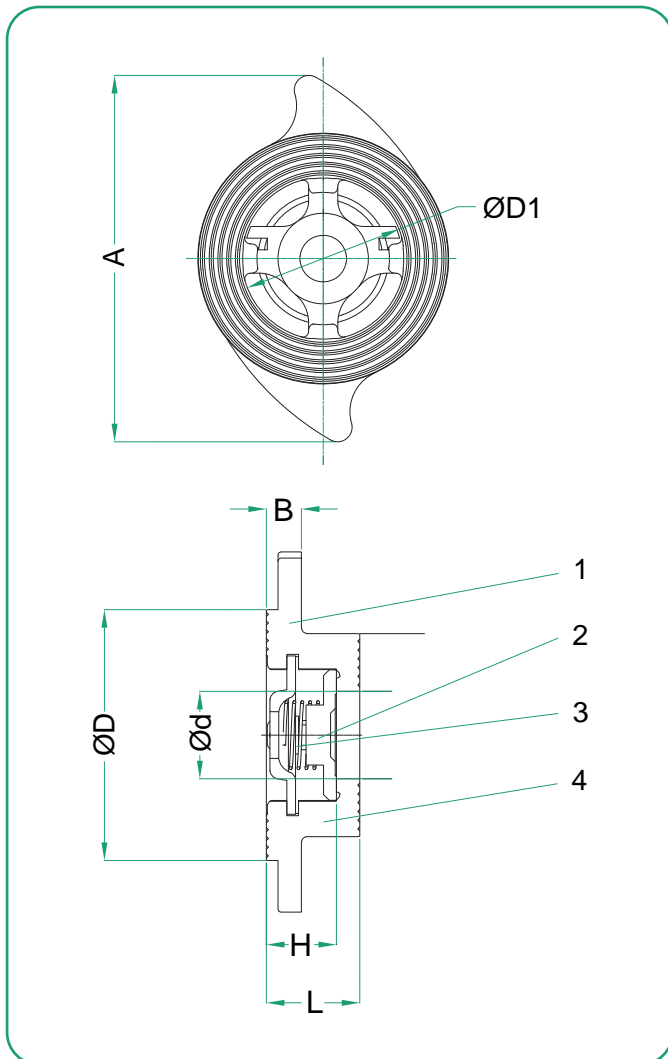




Features / Design

- 1.- Investment cast components.
- 2.- Horizontal or vertical installation.
- 3.- Light weight, low pressure drop.
- 4.- Short face to face dimensions (wafer type).
- 5.- For food, general chemical & industrial application.
- 6.- Design acc. to EN12516-2.
- 7.- Pressure-Temperature Rating: PN40.
- 8.- Face to face dimension acc. to DIN3202 K4.
- 9.- Temperature range: - 4 to 356°F (-20° to 180°C).
- 10.- Pressure test according to API 598.



Material List

NO.	PART NAME	MATERIAL
1	BODY	A351 CF8M
2	DISC	AISI 316
3	SPRING	AISI 316
4	CAP	A351 CF8M



Dimensions (inches)

SIZE	$\varnothing d$ (in)	$\varnothing d1$ (in)	$\varnothing D$ (in)	L (in)	H (in)	$\varnothing D1$ (in)	B (in)	A (in)	CV (USgpm)	WEIGHT (lb)
1/2"	0.591	1.370	1.693	0.630	0.472	1.098	0.236	2.480	5.9	0.225
3/4"	0.787	1.772	2.087	0.768	0.551	1.409	0.303	2.736	8.0	0.408
1"	0.984	2.000	2.480	0.866	0.654	1.626	0.315	3.169	12.7	0.604
1 1/4"	1.260	2.370	2.854	1.102	0.878	1.937	0.354	3.563	16.6	0.926
1 1/2"	1.575	2.744	3.228	1.240	0.965	2.244	0.394	3.976	25.5	1.323
2"	1.969	3.535	3.748	1.575	1.307	2.996	0.315	4.528	41.1	2.072
2 1/2"	2.559	4.016	4.551	1.772	1.508	3.449	0.295	5.591	58.8	2.921
3"	3.150	4.764	5.094	1.969	1.654	4.181	0.315	6.043	86.2	4.167
4"	3.937	5.709	6.071	2.362	2.020	5.059	0.472	7.079	117.5	6.834

NOTE: Suitable between flanges ASME Class 150 and 300.

How to Order

CLASS		VALVE BODY DESIGN (SERIES)	MATERIAL			ENDS	SIZE	
			BODY	DISC	SEAT			
8	PN 40 ⁽¹⁾	74L 1 Pc Wafer Spring Loaded Check Valve	3 CF8M	3 316 SS	3 316 SS	W Wafer	0.5	1/2"
							0.75	3/4"
							01	1"
							01.25	1 1/4"
							01.5	1 1/2"
							02	2"
							02.5	2 1/2"
							03	3"
04	4"							

Example:

1 Pc Wafer Spring Loaded Check Valve, Body ASTM A351 Gr. CF8M & Disc 316SS,
 Maximum Working Pressure PN40, Size 2".

874L333W02

NOTES:

(1) Nominal Pressure (PN 40 = 40 bar ≈ 588 psi).

